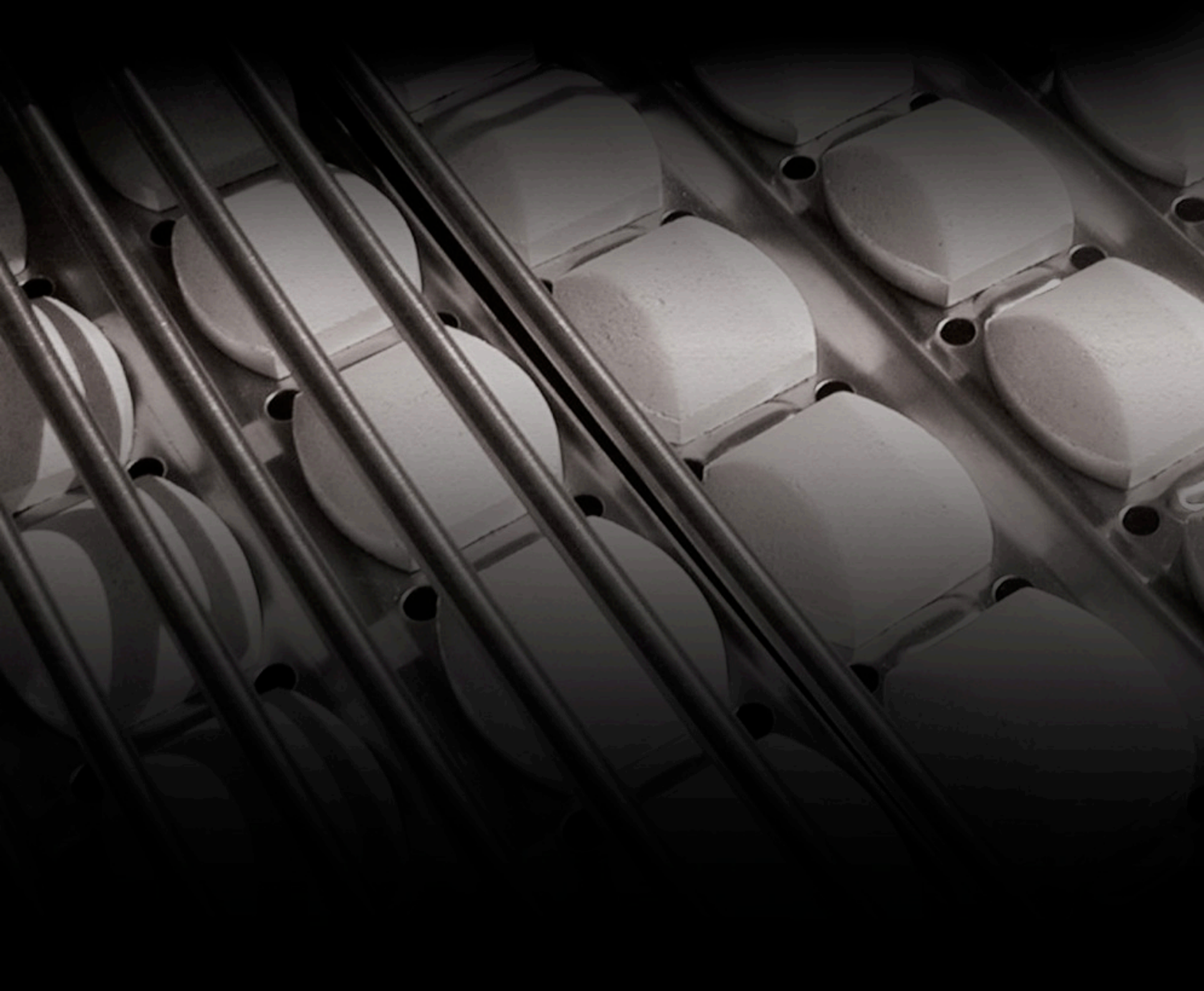


PRESTIGE®



Outdoor Collection

Welcome to the Prestige® Outdoor Collection, an industry leader in Technology and Culinary Innovation. Prestige® has assembled a team of grilling professionals with over forty years of experience in product design, manufacturing and marketing. This dedicated team has developed a full line of high quality, commercial-grade grilling and outdoor kitchen accessories for your dream outdoor culinary experience.

The Prestige® Outdoor Collection has set a new standard for those looking to advance their outdoor space into an oasis of style and performance. With built-in or cart style grills and a full line of accessories including doors, drawers, trash drawers, ice chests and more, the Prestige® Outdoor Collection can be an outdoor cooking solution for the whole family to enjoy!

Table of Contents

Grills

34" Grill	3
46" Grill	4

Outdoor Kitchen Accessories

Built-In Doors & Drawers	5
Combination Units	6
Additional Accessories	7
Built-In Side Burners	8

Outdoor Kitchens 9-10

Product Dimensions	11-14
--------------------	-------



The 34" GBQ Grill is a compact cooking machine. With a fully welded stainless steel canopy, (3) powerful burners, the option to change modules to include a sear station and a full rotisserie, the 34" Signature Series grill brings power and performance to any built-in or cart grill application.



34" GBQ w/ Cart



Signature Series

GBQR34N

34" GBQ Grill

- 63,500 BTUs of Cooking Power
- (3) 17,000 BTU Main Burners
- Rotisserie burner - 12,500 BTU - (1) per Grill
- Full welded Stainless Steel construction
- Stainless Steel Burners
- Patented Flamethrower Valves
- Easy Change to an Infrared Configuration (Optional)
- Comes Standard with Infrared Rotisserie and Stainless Steel Warming Rack

Optional Cart Available for 34" GBQ Grill

Cart Model - GBQC34

- Full Stainless Steel double door carts are available for the 34" model; equipped with slide out propane shelf & 4 locking casters.



Signature Series

46" GBQ Grill

GBQR46N

- 80,500 BTUs of Cooking Power
- (4) 17,000 BTU Burners
- Rotisserie burner - 12,500 BTU - (1) per Grill
- Full welded Stainless Steel construction
- Stainless Steel Burners
- Patented Flamethrower Valves
- Easy Change to an Infrared Configuration (Optional)
- Comes Standard with Infrared Rotisserie and Stainless Steel Warming Rack

Optional Cart Available for 46" GBQ Grill

Cart Model - GBQC46

- Full Stainless Steel double door carts are available for the 46" models ; equipped with slide out propane shelf & 4 locking casters.



The 46" GBQ Grill is the largest of the Prestige® Outdoor Collection. Also equipped with a fully welded stainless steel canopy, (4) powerful burners and the option to change modules to include a sear station, this grill has the power and usable cooking space to appease even the most serious of BBQ lovers.



46" GBQ w/ Cart

Built-In Doors & Drawers

The Prestige® Outdoor Collection offers many options for a custom or standard outdoor kitchen. A vertical door, double doors, and a horizontal door will cover the lower section of your built-in application

It always seems like there is never enough space for utensils, trash, plating, and garnishes. Introducing Prestige® built-in drawer systems, from a horizontal drawer to a double drawer, to the inventive hide-away paper towel drawer, lack of space will be the least of your grilling worries.



Horizontal Door
RDH1



Double Door
RDD1



Vertical Door
RDV1



Double Drawer
RDR1



Horizontal Drawer
RDR1S



Towel Drawer
RDTH1

Combinations



Door / Drawer
RDC1



Towel Drawer / (2) Drawer
RTDC1

Not sure whether or not doors or drawers alone will be your best form of storage in your outdoor kitchen? Make use of our door/drawer or paper towel drawer/(2) drawer combo units. These units, when built into your outdoor kitchen, will allow for storage options that were never before possible on your old portable grill.

Enjoy the benefits of extra storage at your next outdoor festivity, or the convenience of easily and safely storing your barbecue tools where you need them most.

Recommended

An economical alternative to powered refrigeration is the Prestige® aluminized ice-chest which can be built-in to the top of your outdoor kitchen for easy access to cold drinks, meats, etc. Each ice chest comes standard with removable garnish trays and an easy-drainage system.

Outdoor grilling produces trash, an excess of trash around your cooking surface causes clutter and chaos. Introducing the Prestige® Trash Drawer, simply build this unit into your outdoor kitchen and tuck away your trash for good.



Aluminized Ice Chest
RIC



Trash Drawer
RDTD1

Side Burners

Double Side Burner
RSB2



The Prestige® Side Burners are available in single or double configurations. With the Prestige® side burners you are sure to eliminate those cumbersome trips back and forth to the house. Bring the convenience of your indoor kitchen, outdoors with Prestige®.

- 15,000 BTU output per burner.
- All stainless steel exterior with sleek corners and seams
- Stainless Steel Burners
- Patented Flamethrower Valves
- Stainless Steel Cover Included
- Full Built In Application

Single Side Burner
RSB1



Outdoor Kitchens

The Prestige Outdoor Collection offers a synthesis of style, versatility and performance to those who will accept nothing less. Our outdoor kitchens are specifically designed around our cooking equipment to make your outdoor experience a memorable one.

Whether your tastes include an outdoor kitchen equipped with storage, grilling, preparation space, and refrigeration or simply a grill and side burner, the outdoor kitchen offers a new alternative to standard grilling. With surfaces that include a wide array of granite colors and stucco options, your custom outdoor kitchen is both possible and conceivable.





Capri

The Prestige® Outdoor Kitchens are designed specifically for each user's individual needs. Choose from three unique designs, the Aruba, the Oahu and the Montego or feel free to choose from one of our dozens of custom designs. Either way, the Prestige Outdoor Collection will be a stunning addition to your outdoor space.

Capri

Equipped with:

- 46" GBQ Grill - GBQR46N
- Double Side Burner - RSB2
- Towel Drawer - RDTH1
- Door/ Drawer Combo - RDC1
- Trash Drawer - RDTD1

Oahu

Equipped with:

- 34" GBQ Grill - GBQR34N
- Single Side Burner - RSB1
- Door/ Drawer Combo - RDC1
- Trash Drawer - RDTD1

Montego

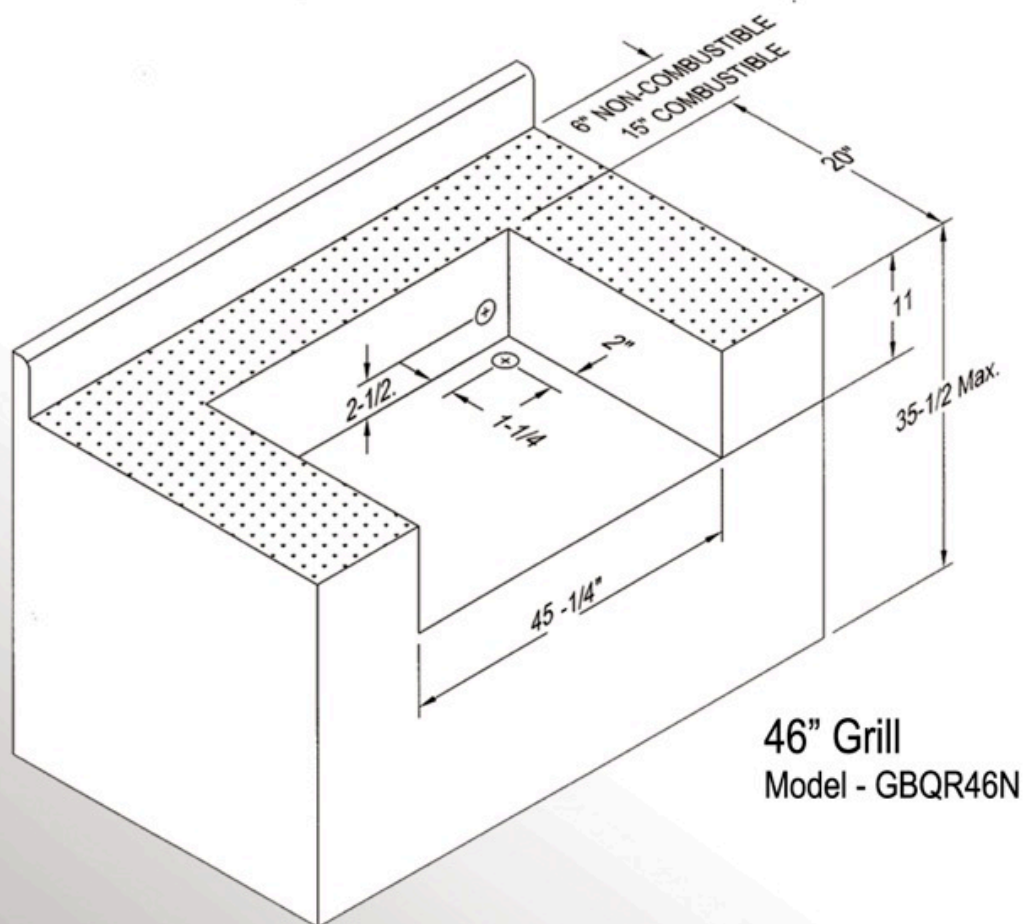
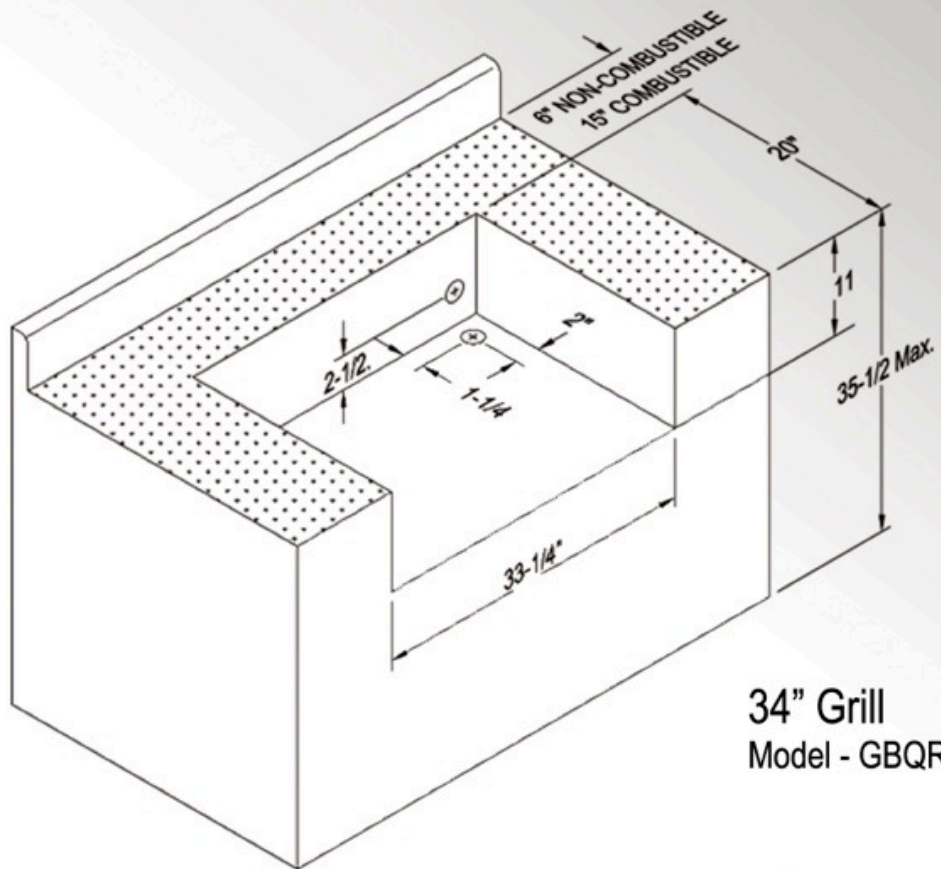
Equipped with:

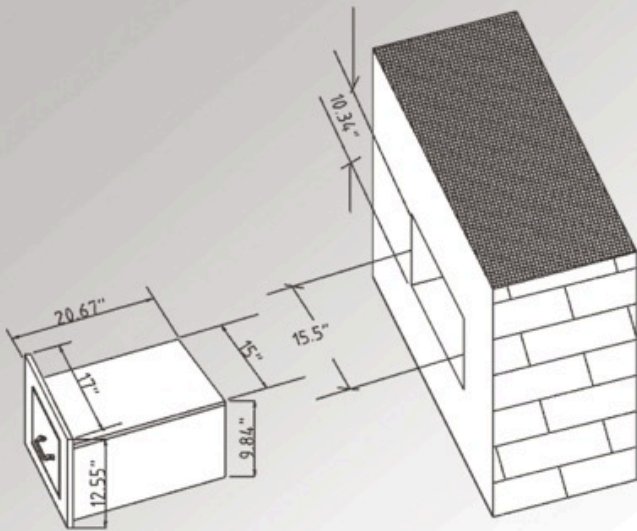
- 34" GBQ Grill - GBQR34N
- Double Door - RDD1

* All models may be customized.

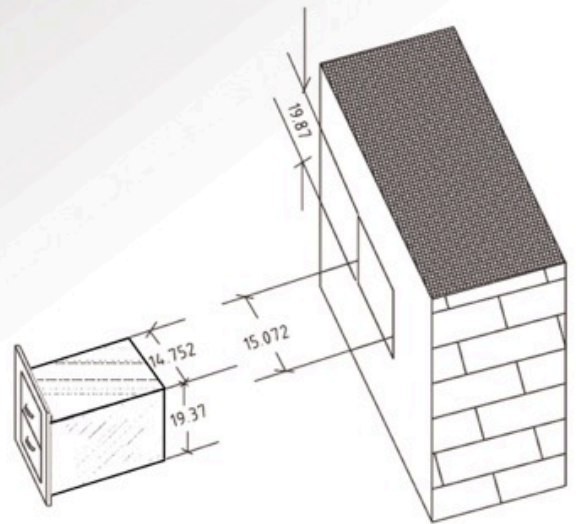


Montego

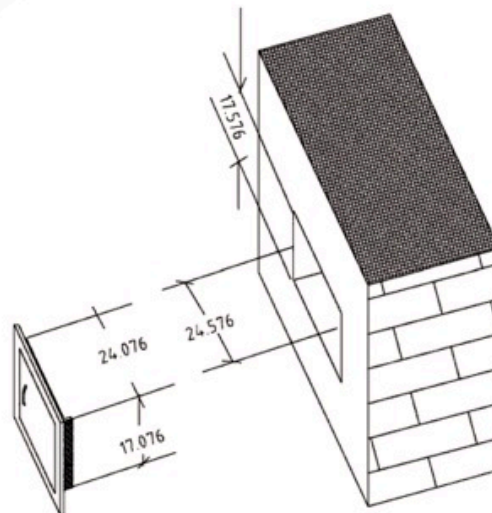




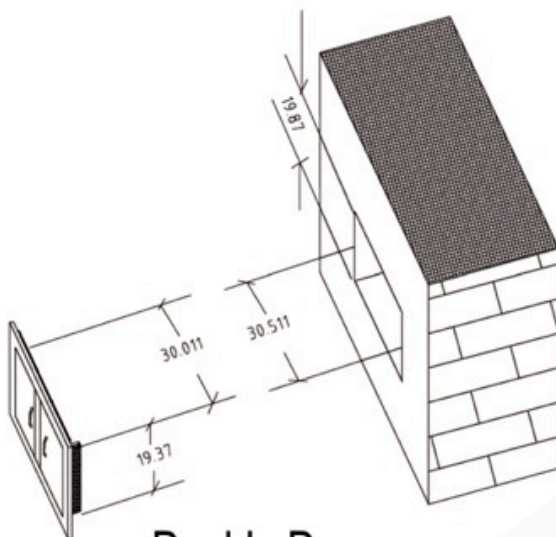
Single Drawer
Model - RDR1S



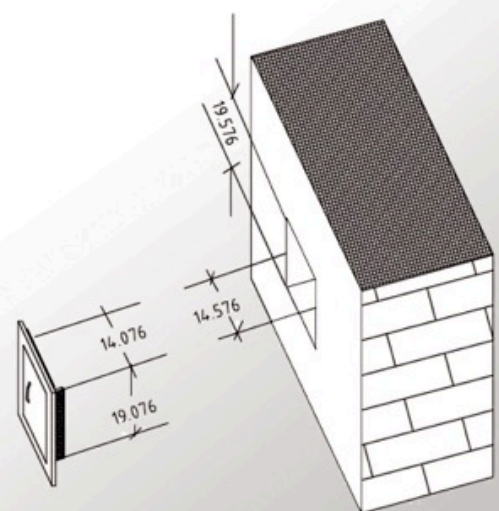
Double Drawer
Model - RDR1



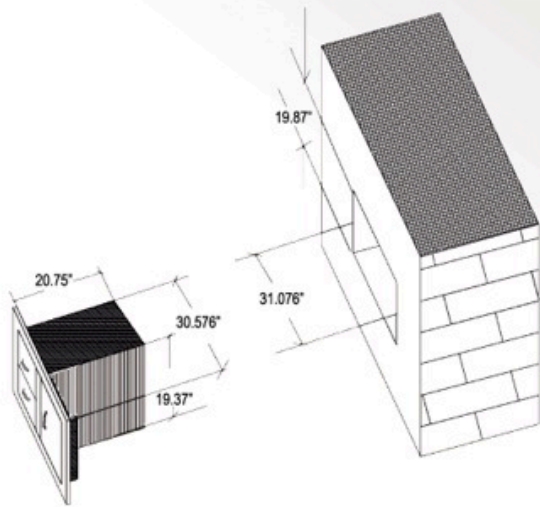
Horizontal Door
Model - RDH1



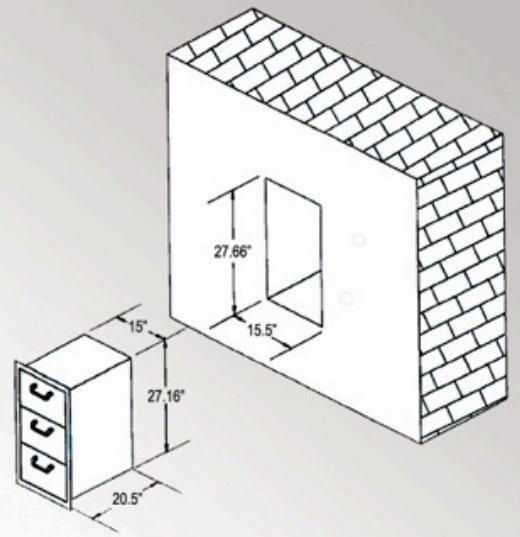
Double Door
Model - RDD1



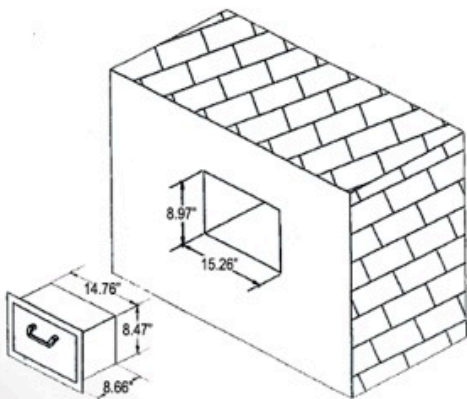
Vertical Door
Model - RDV1



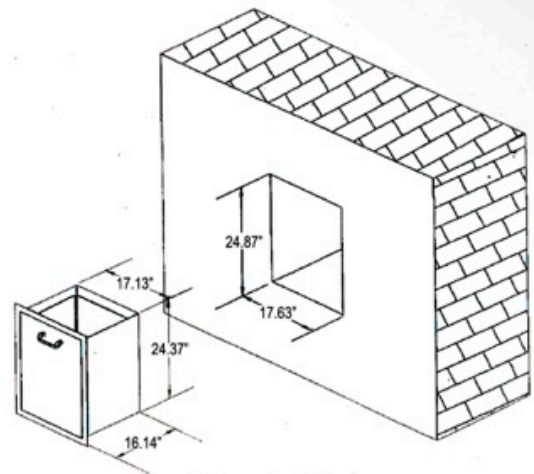
Door / (2) Drawer Combo
Model - RDC1



Towel Drawer / (2) Drawer Combo
Model - RTDC1



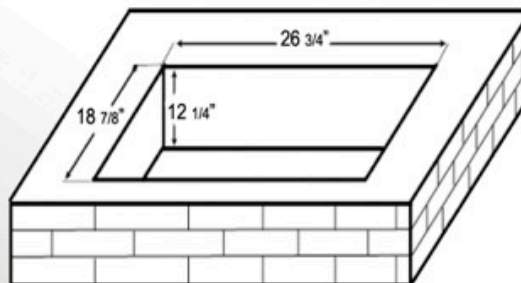
Towel Holder (Drawer)
Model - RDTH1



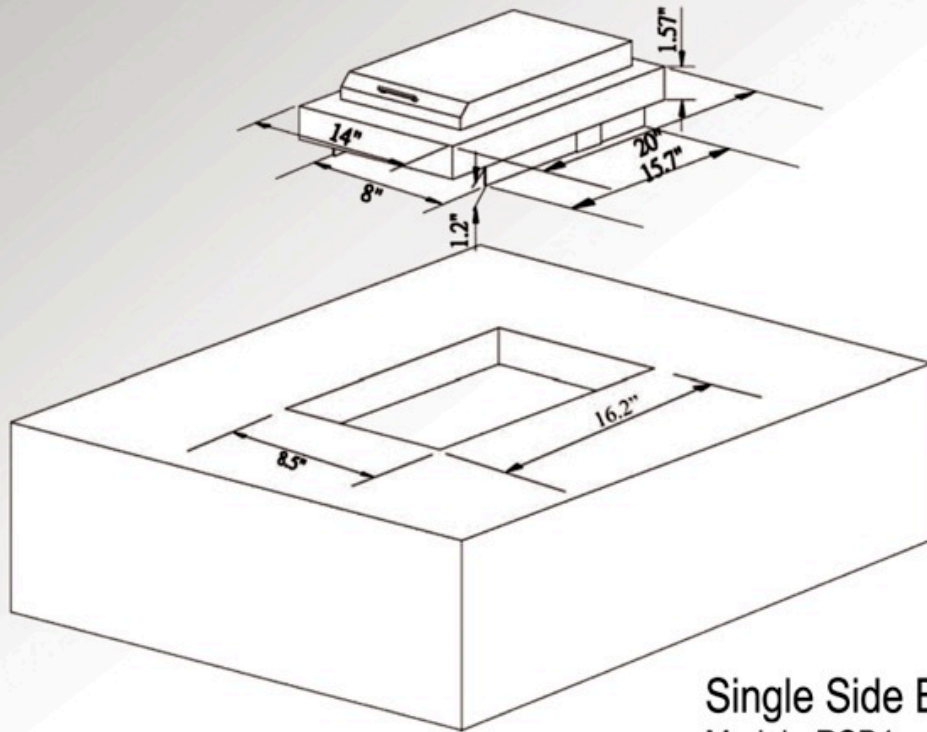
Trash Drawer
Model - RDTD1

Overall Dimensions
W 27 7/8"
D 20 7/8"

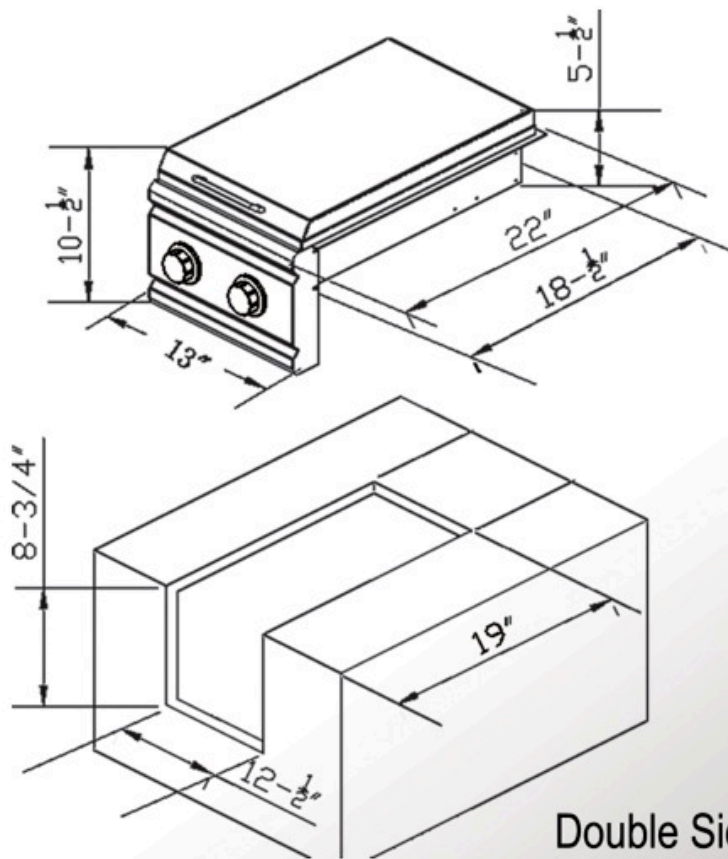
Drain is located at rough
Centerpoint (13 3/8", 9 7/16")
Drain has 2 1/8" Outside Diameter



Aluminized Ice Chest
Model - RIC



Single Side Burner
Model - RSB1



Double Side Burner
Model - RSB2

PRESTIGE[®]

Prestige Manufacturing
103 Fairfield Rd.
Fairfield, NJ 07004

Tel: (800) 358-8886
www.Prestige-America.com